



**MBRS190TR**  
**MBRS1100TR**

**SCHOTTKY RECTIFIER**

**1 Amp**

$I_{F(AV)} = 1 \text{ Amp}$   
 $V_R = 90-100V$

**Major Ratings and Characteristics**

Characteristics	MBR190TR MBR1100TR	Units
$I_{F(AV)}$ Rectangular waveform	1.0	A
$V_{RRM}$	90 - 100	V
$I_{FSM}$ @tp = 5 $\mu$ s sine	870	A
$V_F$ @1.0 Apk, $T_J = 125^\circ\text{C}$	0.63	V
$T_J$ range	-55 to 175	$^\circ\text{C}$

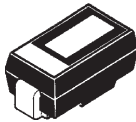
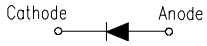
**Description/ Features**

The MBRS190TR, MBRS1100TR surface-mount Schottky rectifier has been designed for applications requiring low forward drop and very small foot prints on PC boards. Typical applications are in disk drives, switching power supplies, converters, free-wheeling diodes, battery charging, and reverse battery protection.

- Small foot print, surface mountable
- Low forward voltage drop
- High frequency operation
- Guard ring for enhanced ruggedness and long term reliability

**Case Styles**

MBRS190TR  
MBRS1100TR

SMB

## Voltage Ratings

Part number	MBRS190TR	MBRS1100TR
V <sub>R</sub> Max. DC Reverse Voltage (V)	90	100
V <sub>RWM</sub> Max. Working Peak Reverse Voltage (V)		

## Absolute Maximum Ratings

Parameters	Value	Units	Conditions
I <sub>F(AV)</sub> Max. Average Forward Current	1.0	A	50% duty cycle @ T <sub>L</sub> = 147 °C, rectangular wave form
I <sub>FSM</sub> Max. Peak One Cycle Non-Repetitive Surge Current	870	A	Following any rated load condition and with rated V <sub>RRM</sub> applied
	50		
E <sub>AS</sub> Non- Repetitive Avalanche Energy	1.0	mJ	T <sub>J</sub> = 25 °C, I <sub>AS</sub> = 0.5A, L = 8mH
I <sub>AR</sub> Repetitive Avalanche Current	0.5	A	Current decaying linearly to zero in 1 μsec Frequency limited by T <sub>J</sub> max. Va = 1.5 x Vr typical

## Electrical Specifications

Parameters	Value	Units	Conditions	
V <sub>FM</sub> Max. Forward Voltage Drop (1) * See Fig. 1	0.78	V	@ 1A	T <sub>J</sub> = 25 °C
	0.62	V	@ 1A	T <sub>J</sub> = 125 °C
I <sub>RM</sub> Max. Reverse Leakage Current (1) * See Fig. 2	0.5	mA	T <sub>J</sub> = 25 °C	V <sub>R</sub> = rated V <sub>R</sub>
	1.0	mA	T <sub>J</sub> = 125 °C	
C <sub>T</sub> Typical Junction Capacitance	42	pF	V <sub>R</sub> = 5V <sub>DC</sub> , (test signal range 100kHz to 1MHz) 25°C	
L <sub>S</sub> Typical Series Inductance	2.0	nH	Measured lead to lead 5mm from package body	
dv/dt Max. Volatge Rate of Charge (Rated V <sub>R</sub> )	10000	V/ μs		

(1) Pulse Width &lt; 300μs, Duty Cycle &lt; 2%

## Thermal-Mechanical Specifications

Parameters	Value	Units	Conditions
T <sub>J</sub> Max. Junction Temperature Range (*)	-55 to 175	°C	
T <sub>stg</sub> Max. Storage Temperature Range	-55 to 175	°C	
R <sub>thJL</sub> Max. Thermal Resistance Junction to Lead (**)	36	°C/W	DC operation (See Fig. 4)
R <sub>thJA</sub> Max. Thermal Resistance Junction to Ambient	80	°C/W	DC operation
wt Approximate Weight	0.10(0.003)	g(oz.)	
Case Style	SMB		Similar to DO-214AA
Device Marking	IR19-IR10		

(\*)  $\frac{dP_{tot}}{dT_J} < \frac{1}{R_{th(j-a)}}$  thermal runaway condition for a diode on its own heatsink

(\*\*) Mounted 1 inch square PCB

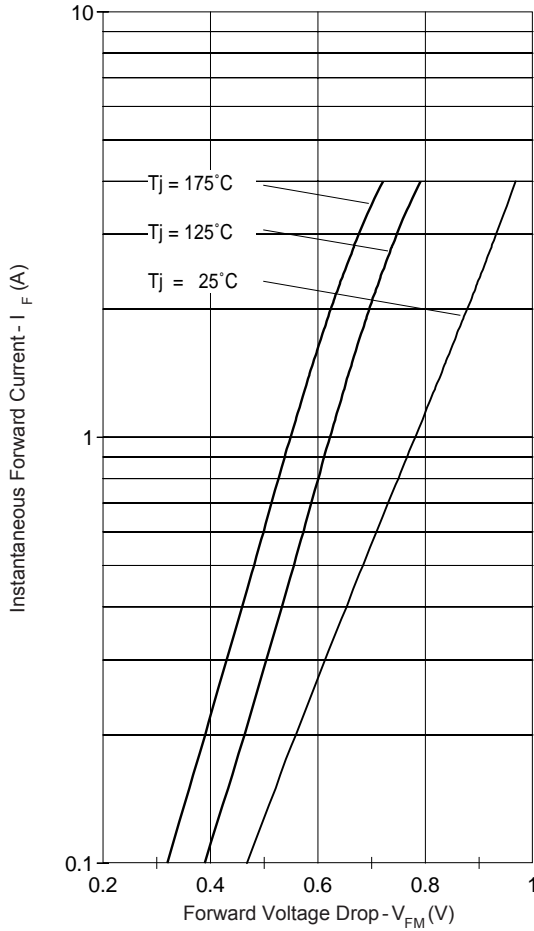


Fig. 1 - Maximum Forward Voltage Drop Characteristics

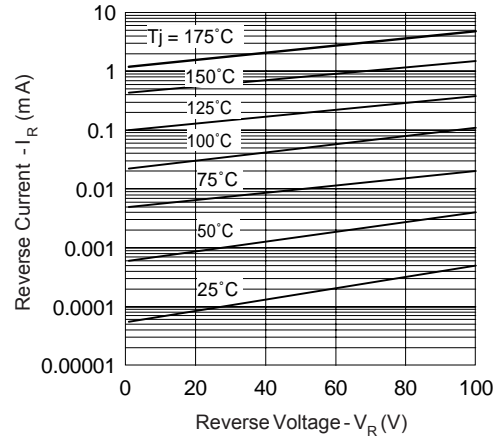


Fig. 2 - Typical Peak Reverse Current Vs. Reverse Voltage

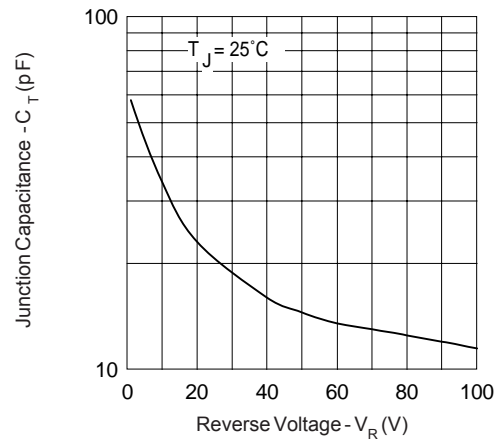


Fig. 3 - Typical Junction Capacitance Vs. Reverse Voltage

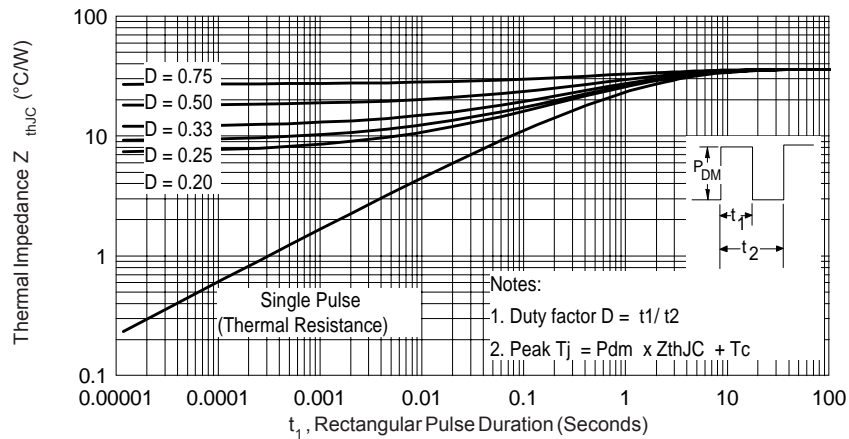


Fig. 4 - Max. Thermal Impedance  $Z_{thJC}$  Characteristics (Per Leg)

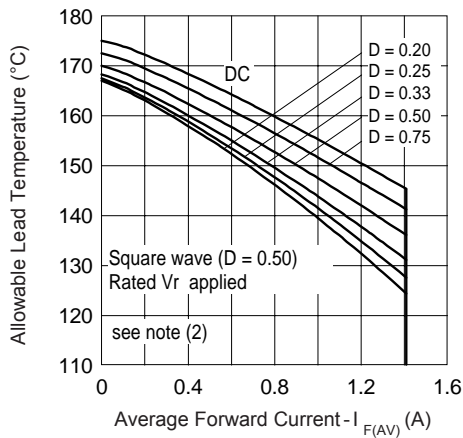


Fig. 4 - Maximum Average Forward Current Vs. Allowable Lead Temperature

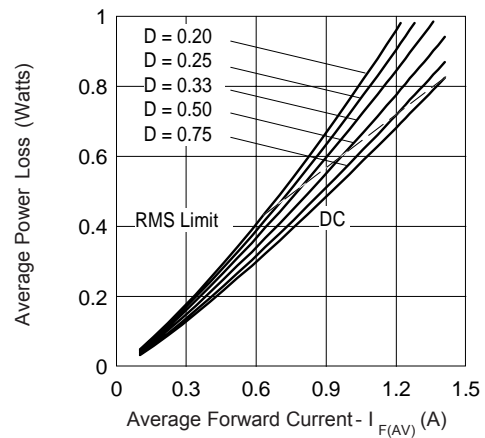


Fig. 5 - Maximum Average Forward Dissipation Vs. Average Forward Current

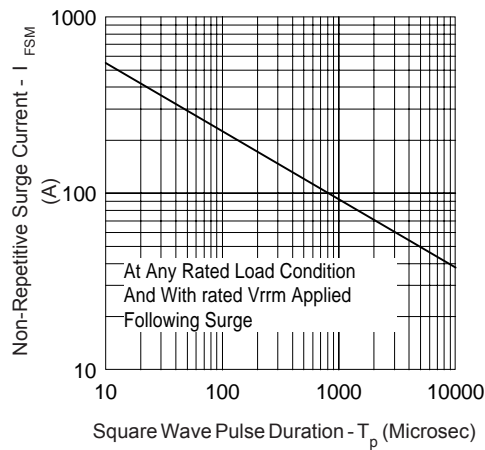
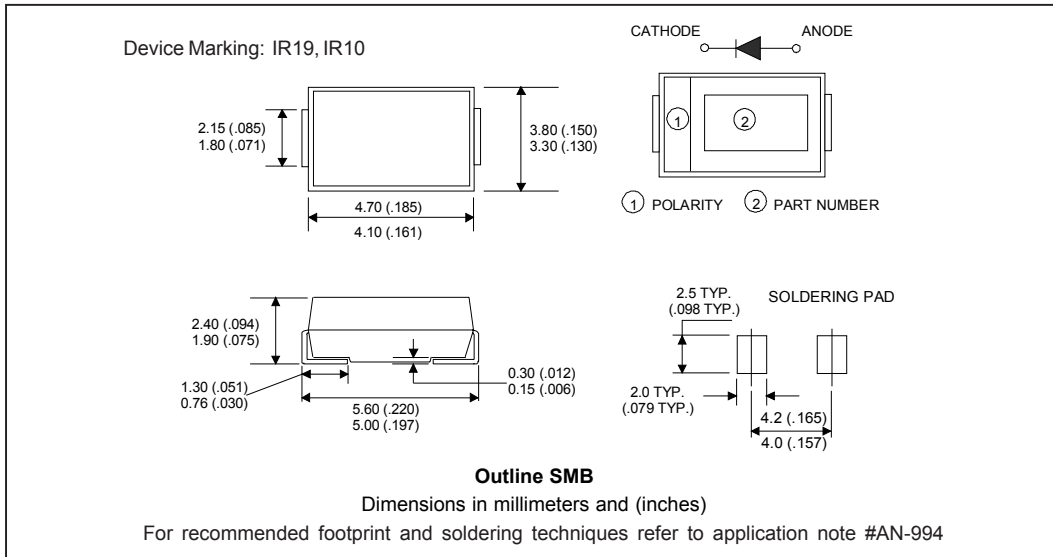


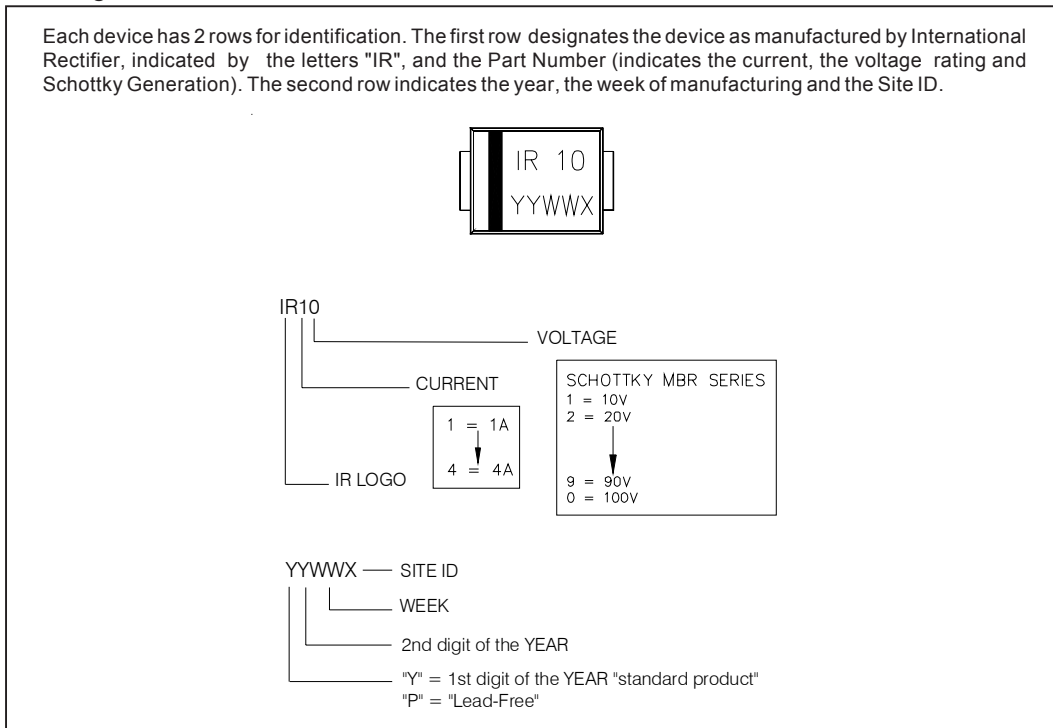
Fig. 6 - Maximum Peak Surge Forward Current Vs. Pulse Duration

- (2) Formula used:  $T_c = T_j - (Pd + Pd_{REV}) \times R_{thJC}$ ;  
 $Pd = \text{Forward Power Loss} = I_{F(AV)} \times V_{FM} @ (I_{F(AV)} / D)$  (see Fig. 6);  
 $Pd_{REV} = \text{Inverse Power Loss} = V_{R1} \times I_R (1 - D)$ ;  $I_R @ V_{R1} = 80\% \text{ rated } V_R$

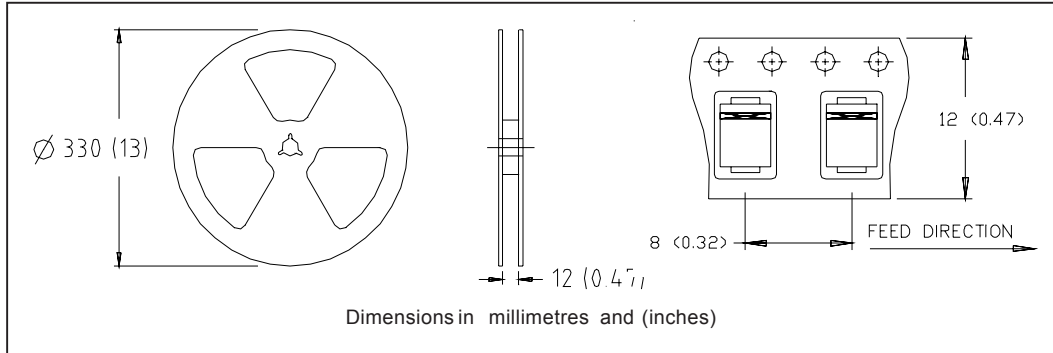
Outline Table



Marking & Identification



Tape & Reel Information



Ordering Information Table

Device Code			
<b>MBR</b>	<b>S</b>		
1	100		
TR	-		
①	②		
③	④		
⑤	⑥		
<b>1</b>	- Schottky MBR Series		
<b>2</b>	- S = SMB		
<b>3</b>	- Current Rating (1 = 1 A)		
<b>4</b>	- Voltage Rating		
<b>5</b>	- TR = Tape & Reel (3000 pieces)		
<b>6</b>	- • none = Standard Production • PbF = Lead-Free		
	<table border="1"> <tr> <td>90 = 90V</td> </tr> <tr> <td>100 = 100V</td> </tr> </table>	90 = 90V	100 = 100V
90 = 90V			
100 = 100V			

Data and specifications subject to change without notice.  
This product has been designed and qualified for Industrial Level.  
Qualification Standards can be found on IR's Web site.